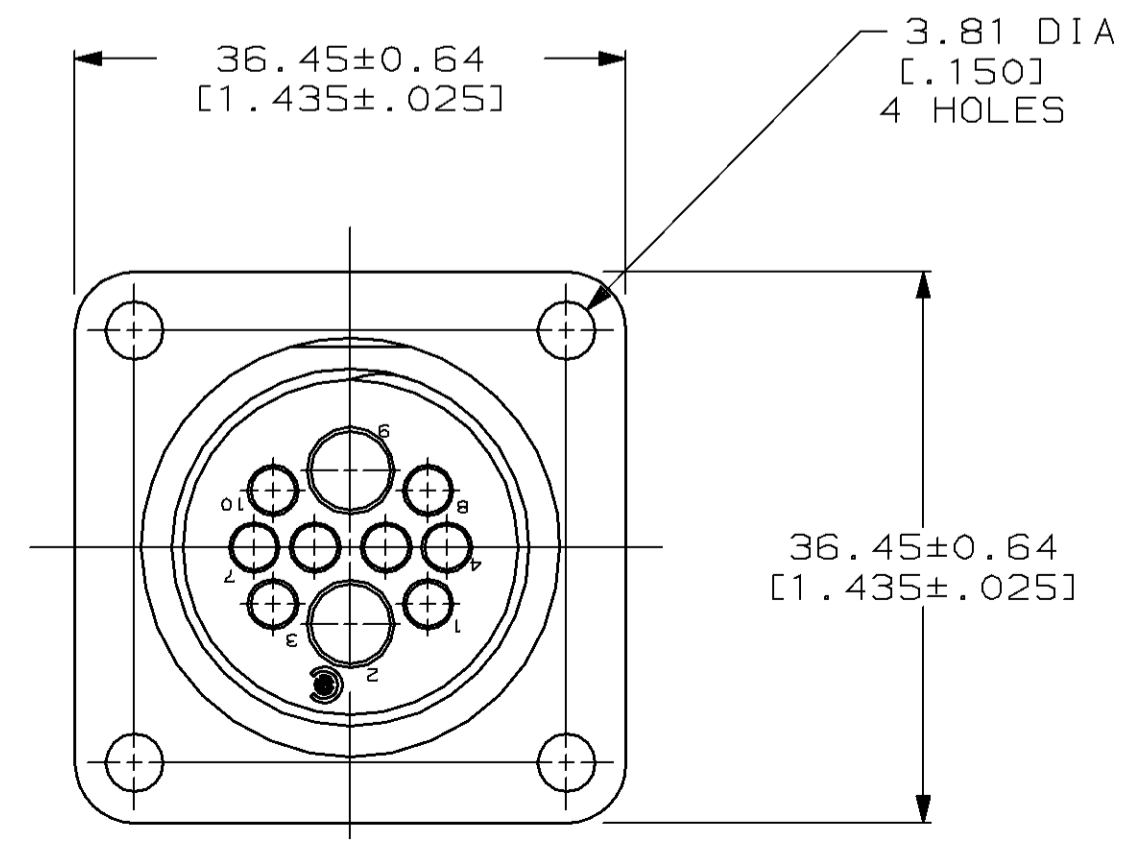
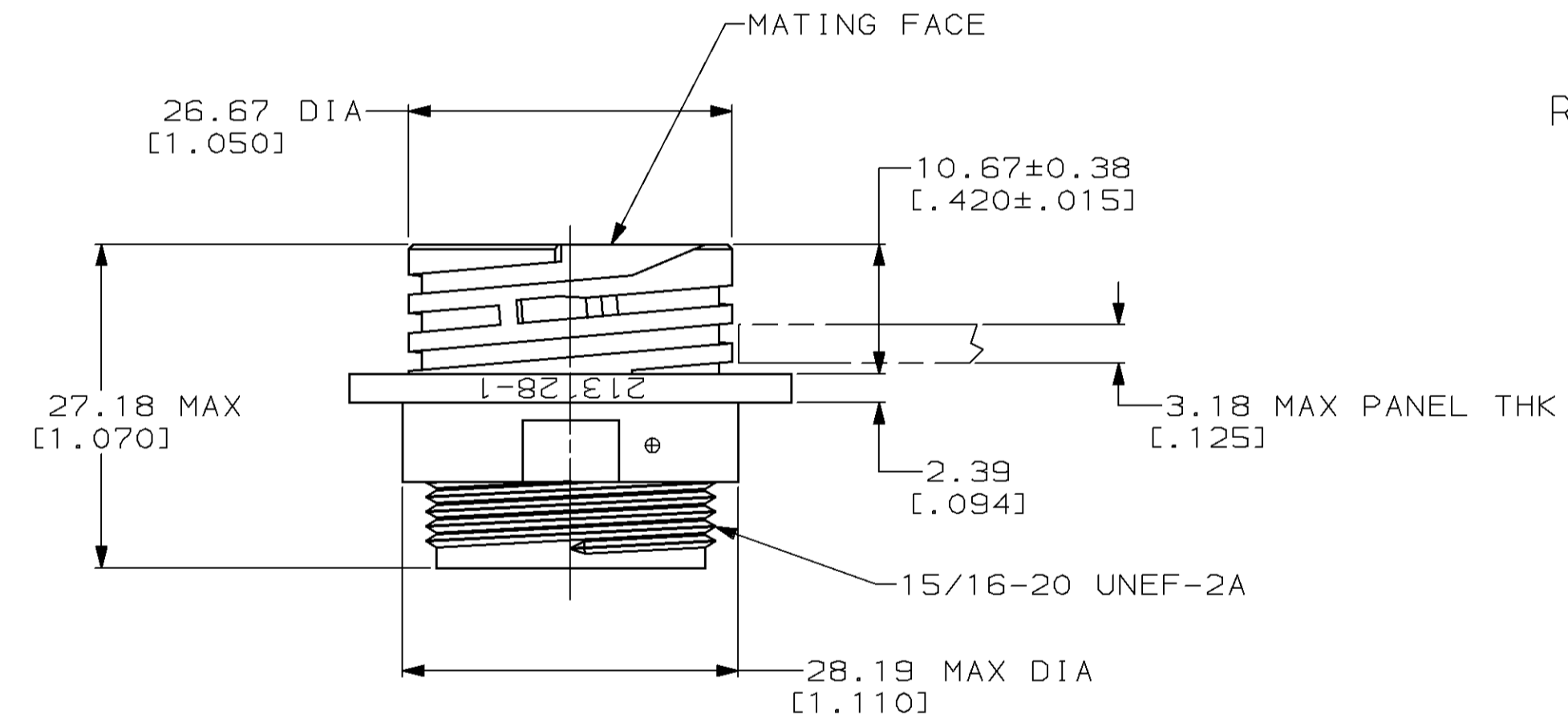
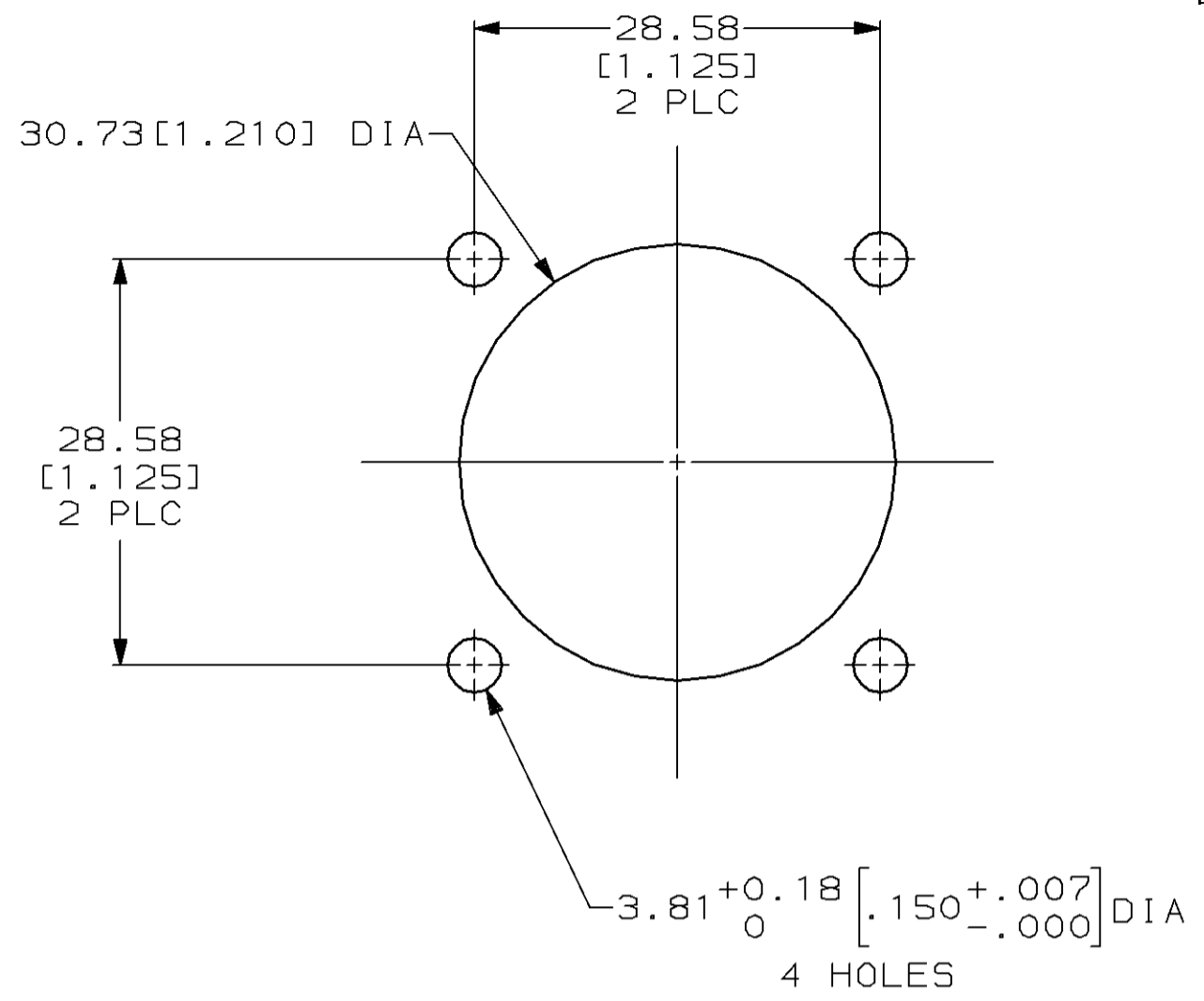
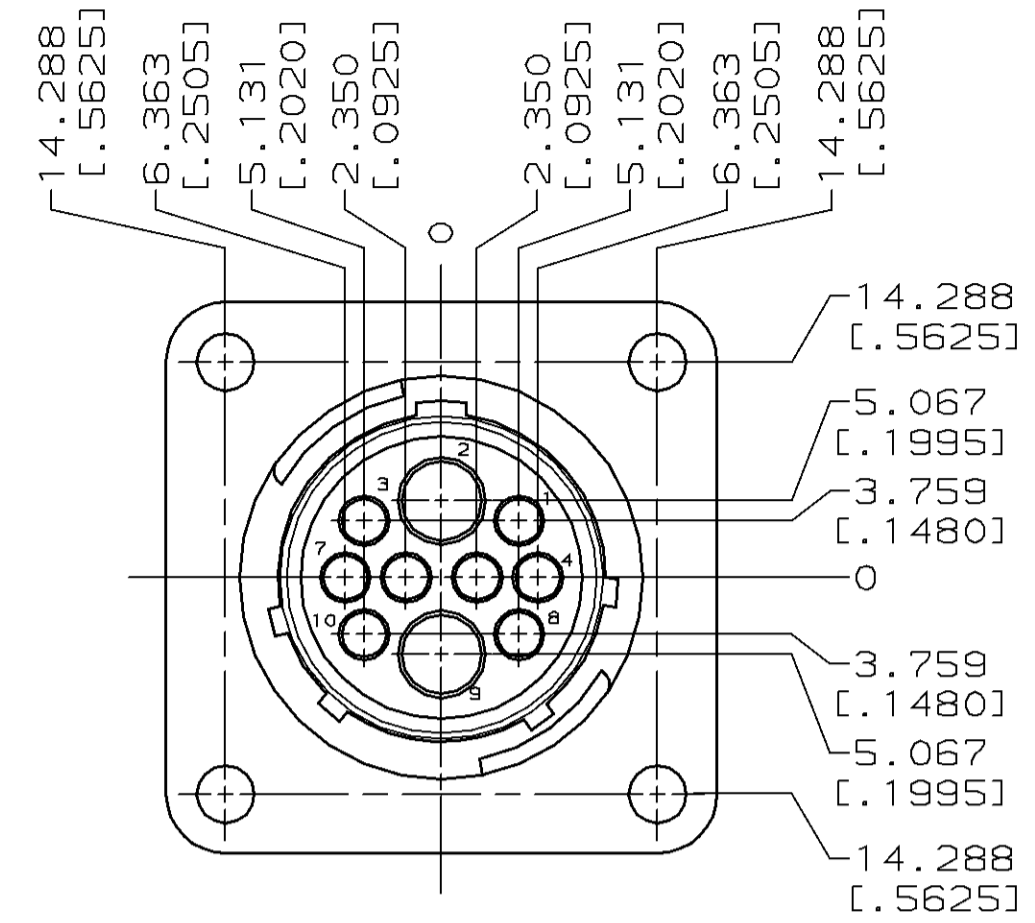


THIS DRAWING IS UNPUBLISHED. RELEASED FOR PUBLICATION
 BY AMP INCORPORATED. ALL RIGHTS RESERVED.

LOC	DIST	REVISIONS			
P	LTR	DESCRIPTION	DATE	DWN	APVD
BD	35	A	REDRAW ON CAD EC 0020-532-95	05/18/95	-



1. THIS CONNECTOR WILL ACCEPT TWO TYPE I, SIZE 12 SOCKET CONTACTS AND EIGHT MULTIMATE SOCKET CONTACTS.
2. TYPE I CONTACTS MATE FIRST, BREAK LAST.
3. MAX WIRE INSULATION USED WITH THIS RECEPTACLE IS 2.67[.105] DIA FOR MULTIMATE SOCKET CONTACTS.

213128-1
 PART NUMBER

THIS DRAWING IS A CONTROLLED DOCUMENT FOR AMP INCORPORATED. IT IS SUBJECT TO CHANGE AND THE CONTROLLING ENGINEERING ORGANIZATION SHOULD BE CONTACTED FOR THE LATEST REVISION.		DWN C. OBERMAN 5-23-95	AMP Incorporated Harrisburg, PA 17105-3608	
DIMENSIONS: mm [INCHES]		CHK R. STONE 5-25-95	NAME RECEPTACLE, ARR 17-10M, REVERSE SEX, SERIES 4, CLASS A, SQUARE FLANGE, CPC	
TOLERANCES UNLESS OTHERWISE SPECIFIED:		APVD A. FRANTUM 5-25-95	SIZE A2	
0 PLC ±- 1 PLC ±- 2 PLC ±0.25 [.010] 3 PLC ±0.250 [.0100] 4 PLC ±- ANGLES ±- FINISH -		PRODUCT SPEC - APPLICATION SPEC -	CAGE CODE 00779	DRAWING NO 213128
MATERIAL NYLON, BLACK		WEIGHT -	SCALE 2:1	SHEET 1 OF 1
CUSTOMER DRAWING			REV A	

213128

A